

SPECIFICATIONS

Mechanical

Contact Retention Force: 0.51Kg (1.15Lb) min.
Durability: 250 Cycles

Electrical

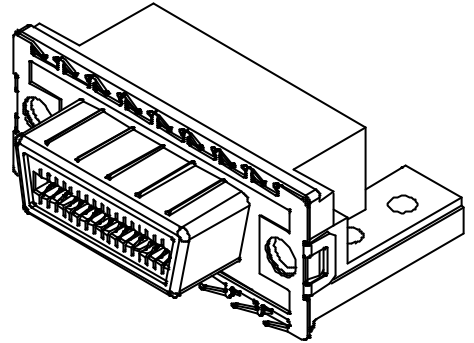
Voltage Rating: 30V
Current Rating: 0.5A
Contact Resistance: 80mW max.
Dielectrical Withstanding Voltage: 500V
Insulation Resistance: 1000MW min.

Physical

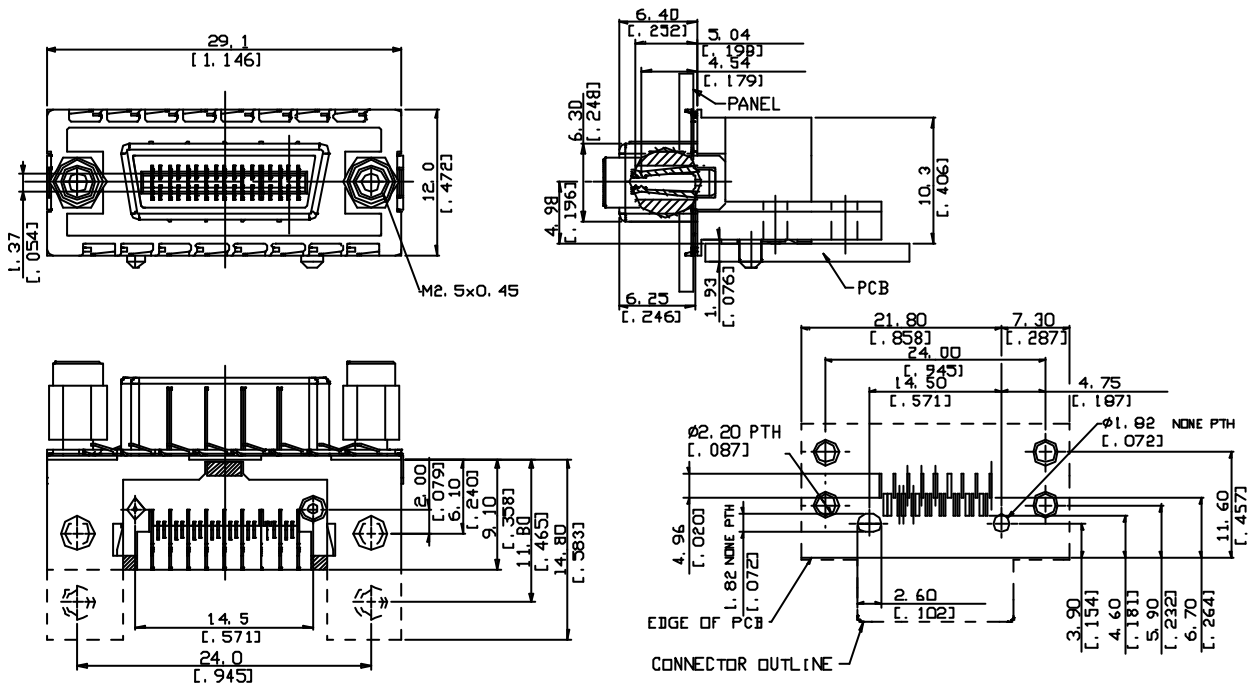
Housing: LCP, UL 94-0, Black
Front Shell: Nickel Plated Steel
EMI Gasket: Nickel Plated Phosphor Bronze
Latch: Tin or Tin/lead Plated Brass
Contact: Phosphor Bronze
Plating: See "ORDERING INFORMATION"

INFINIBAND CONNECTOR

**2U Series,
 Infiniband 4X
 Receptacle Screw Type
 With Screw Mount**



DRAWING



RECOMMENDED PCB LAYOUT WITH ALIGNMENT PEGS

NOTES :
 WITHOUT NONEPTH HOLE TO BE FOR 2U] * * * * - * * * - * *

ORDERING INFORMATION

PRODUCT NO.: 2 U 1 * * * * - * * * - * *

- POS. NO.: _____
- 25: 25POS.
- Alignment post style "A" _____
- 0: W/O post
- 1: Free fit post
- 2: Press fit post
- PLATING SPEC. ON CONTACT AREA. _____
- 3: 30 μ^m MIN. Gold
- B: Gold flash over 20 μ^m Pd/Ni
- Locking Option _____
- 2: Screw
- Specified code _____
- None=Standard type
- I=W/O EMI gasket
- Lead Free Code _____
- N: Tin/Lead
- F: Lead Free
- Package Type _____
- 1: Tape and reel
- 2: Tube
- Solder Post Length "L" _____
- 0=Screw mounting, no solder post(2 screw boss)
- 7=Screw mounting, no solder post(4 screw boss)
- Coding key option _____
- 0=None (STD)